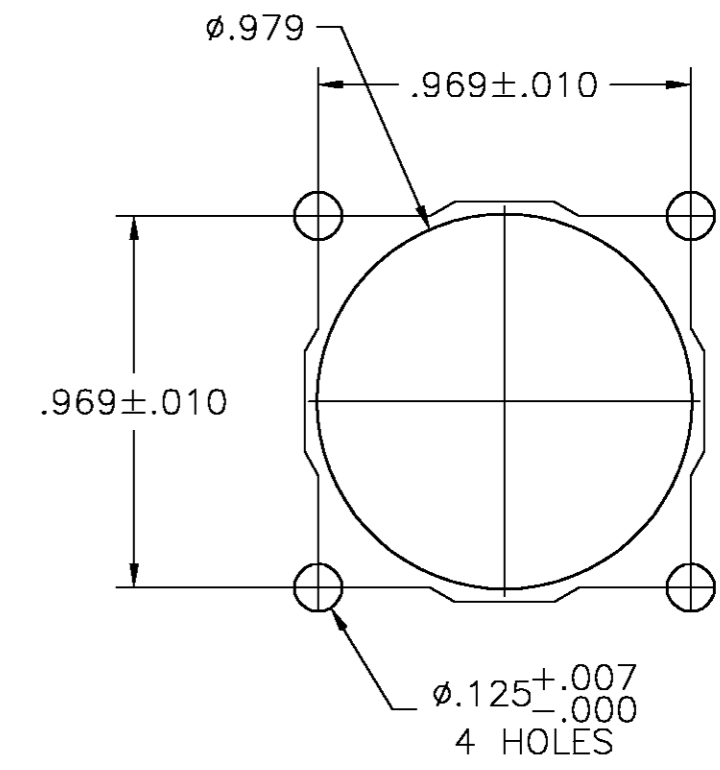
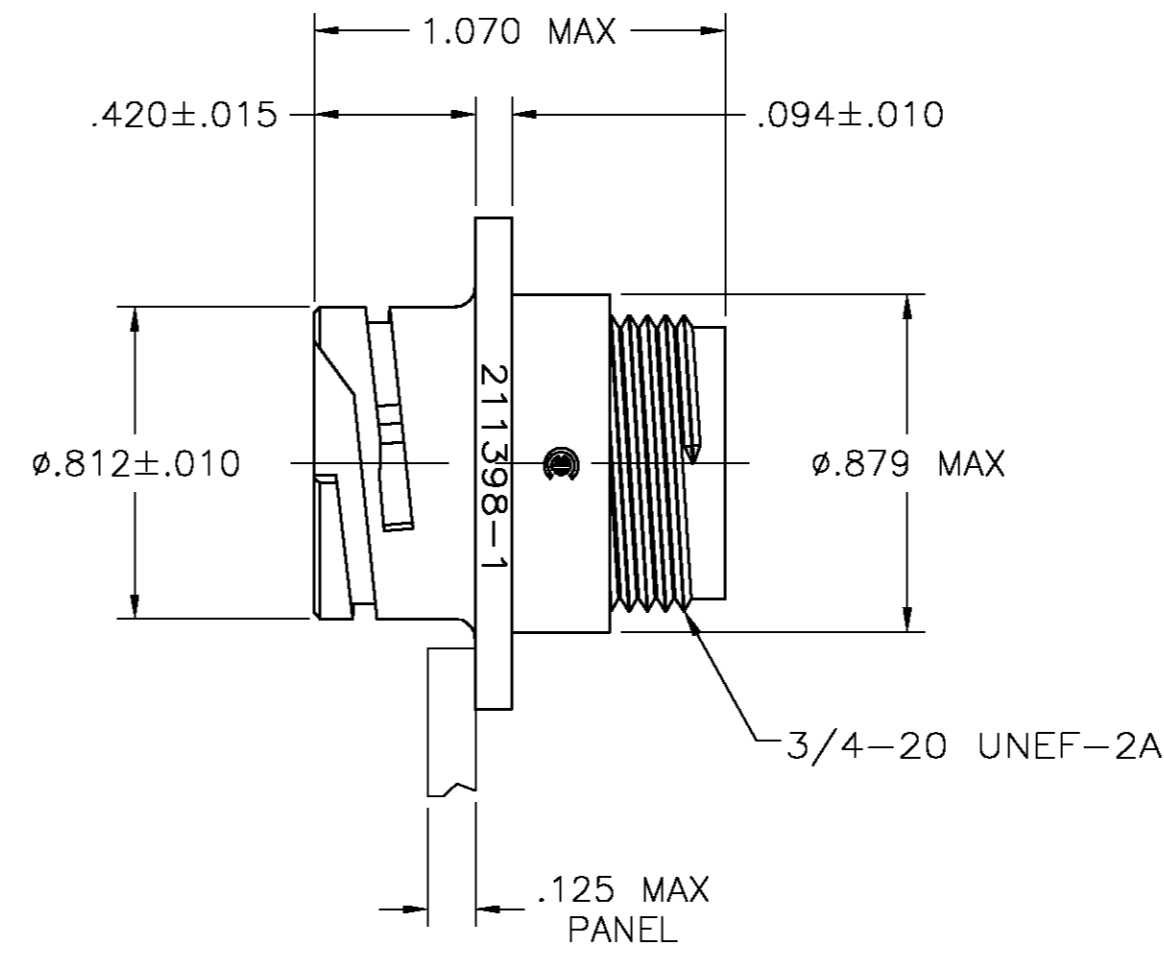
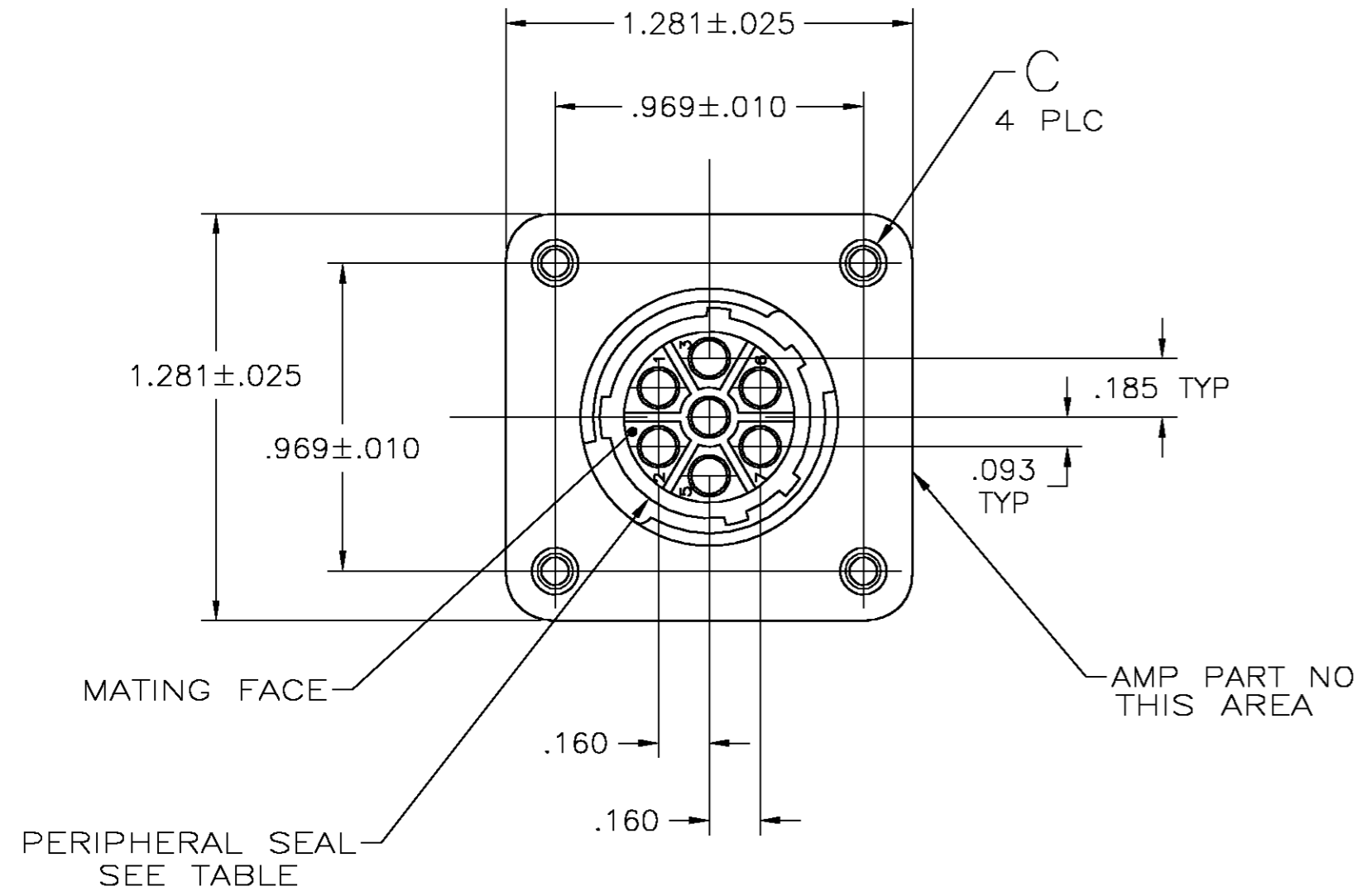


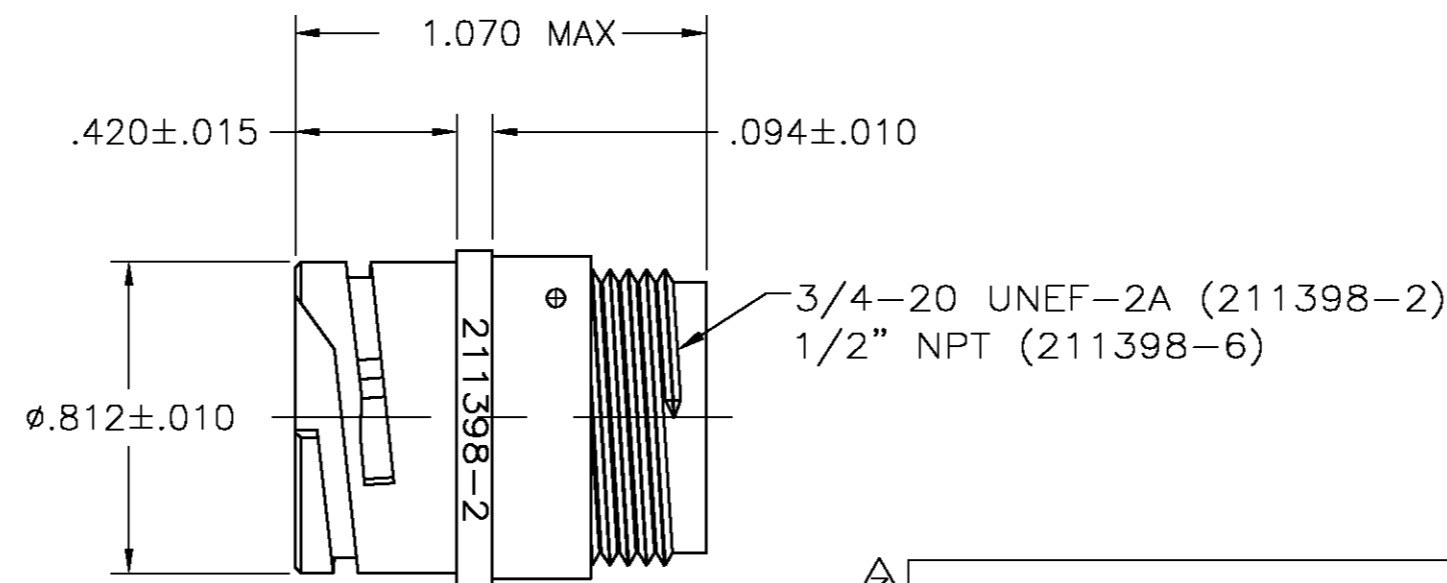
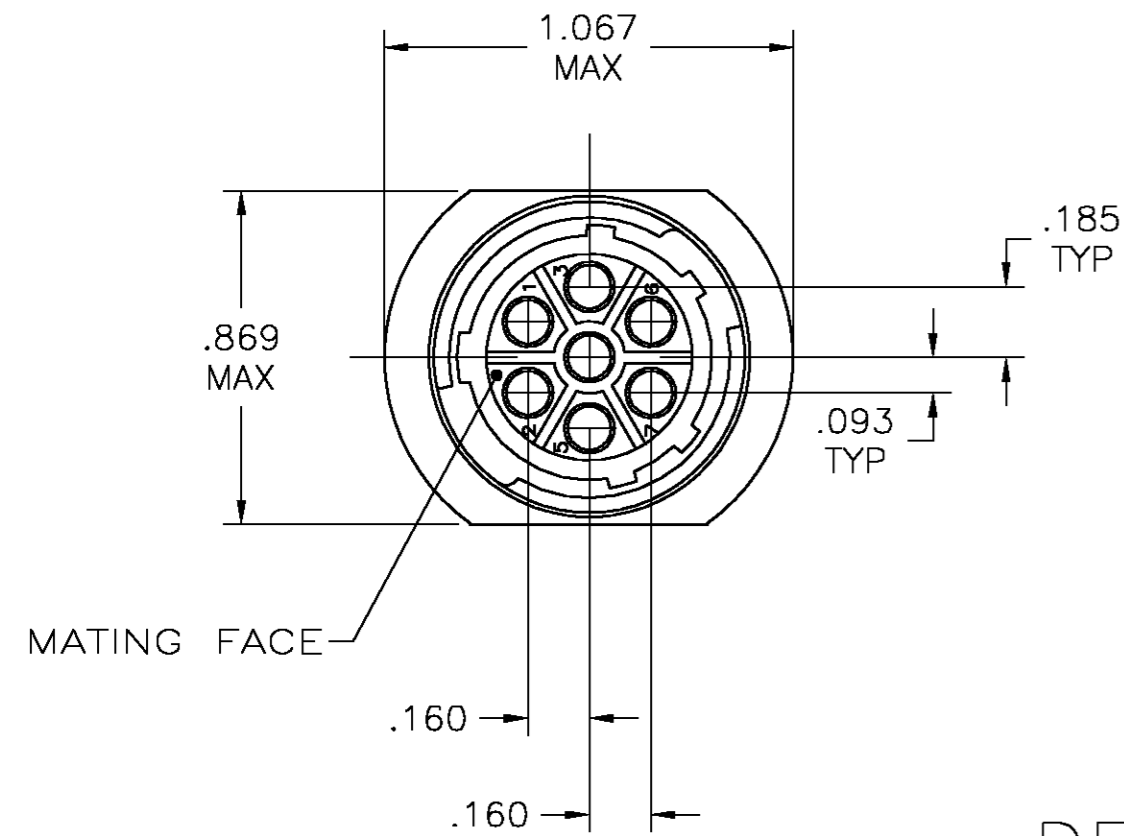
THIS DRAWING IS UNPUBLISHED. RELEASED FOR PUBLICATION
 © COPYRIGHT BY TYCO ELECTRONICS CORPORATION. ALL RIGHTS RESERVED.

LOC		DIST		REVISIONS			
P	LTR	DESCRIPTION	DATE	DWN	APVD		
FT	0						
	K	REVISED PER OG3B-0786-03	10/20/03	SS	SH		



RECOMMENDED PANEL CUTOUT

DETAIL A



DETAIL B

3	-	NO	B	211398-6
3	4-40 THREADED INSERTS	YES	A	211398-5
	4-40 THREADED INSERTS	NO	A	211398-4
	0.150±.003	YES	A	211398-3
	-	NO	B	211398-2
	0.150±.003	NO	A	211398-1
	C	PERIPHERAL SEAL	SEE DETAIL	PART NUMBER

NOTES:

- CAVITY IDENTIFICATION ON FRONT AND REAR FACE.
 - WILL ACCEPT SEVEN (7) MULTIMATE SOCKET CONTACTS.
- 3 PRELIMINARY PART NUMBER.

THIS DRAWING IS A CONTROLLED DOCUMENT.		DWN	07-27-94	Tyco Electronics Corporation	
		CHK	08-10-94	Harrisburg, PA 17105	
		APVD	10-03-94	NAME	
		A.FRANTUM		PRODUCT SPEC	
		APPLICATION SPEC		SIZE	
		WEIGHT		CAGE CODE	
		CUSTOMER DRAWING		DRAWING NO	
		SCALE		RESTRICTED TO	
		2:1		-	
		SHEET		REV	
		1 OF 1		K	